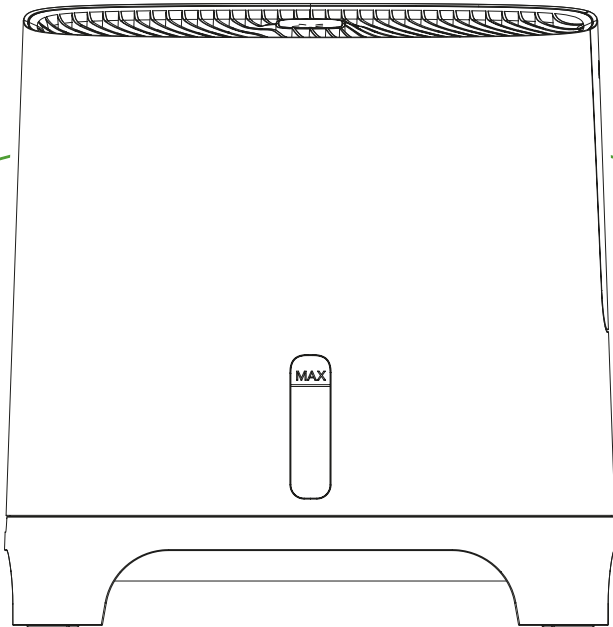




Armin[®] 680

Evaporative Humidifier

Instruction Manual



Thank you for choosing Meaco

Thank you for choosing Meaco, we really appreciate it. We have designed the Meaco Armin® range of evaporative humidifiers because we recognise the importance of a good humidifier to your family's health, and we also understand the frustration that comes with owning and using a humidifier in hard water areas. We first sold and serviced humidifiers with museums in the early 1990s and we have brought this knowledge and expertise to the Armin® range. Our head office in Guildford also suffers from some of Europe's hardest water, so we understand the challenges.

This manual contains important information on the use and care of your humidifier. Please take some time to read this manual to take full advantage of your humidifiers' many benefits and features.

Contents

Safety information	1
Register your Meaco warranty	3
What's included	4
Product identification	5
First steps	6
Operation.....	7
Water Tank	9
Maintenance	10
Storing	14
Troubleshooting	14
Meaco customer care	15
Specifications	15
Warranty terms & conditions	16

Safety information

Important safety instructions



Keep children away: This humidifier is not intended for use by children 8 years or above and persons (including children) with reduced physical, sensory or mental capabilities, or lack of experience and knowledge, unless they have been given supervision or instruction concerning use of the humidifier by a person responsible for their safety. Do not allow children to play with or around this humidifier, as it could result in injury. Do not allow children to clean or carry out user maintenance without supervision. Be sure the humidifier is inaccessible to children when not attended.

Keep unit grounded: Always operate the humidifier with a grounding plug and a grounded electrical outlet. A grounded plug is an essential safety feature that helps reduce the risk of shock or fire.

Protect the power cord from damage: Never operate a humidifier with a damaged power cord, as this may lead to electrical or fire hazards. If the power supply cord is damaged, it must be replaced with a cord of the same type and amperage rating.

Extension cords: Extension cords must be grounded, in good working order and able to deliver the appropriate load to the humidifier.

Handle with care: Do not drop, throw or crash the humidifier. Rough treatment can damage the components or wiring and create a hazardous condition.

Run on a stable surface: Always operate the humidifier on a stable, level surface, for example the floor or a strong counter, so that the humidifier cannot fall, leak and cause injury.

Keep air intakes clear: Do not clog or block the airflow in and/or out by placing the humidifier too close to curtains, walls or anything that will restrict the air inlet or outlet. Filters must also be kept clean. Failure to do so might cause the unit to overheat and result in a fire or electrical hazard.

Keep electrical components dry: Never allow water inside the humidifier's electrical components. If these areas become wet for any reason, thoroughly dry them before using the humidifier. If in doubt, do not use the humidifier and consult a qualified electrician or contact Meaco.

Setting your target: We recommend not setting the target relative humidity higher than 60% RH, as mould growth can occur at 68% RH, especially where you have organic materials in the room or outside walls.

Domestic use only: This humidifier is designed for domestic use only and should not be used in commercial environments.

This unit is only to be used with the supplied power adaptor and the supplied power adaptor is only to be used with this humidifier and no other device.

The operator must make the operating instruction available for the user and make sure that the user understands the manual.

Instructions about the WEEE



Correct disposal of this product (Waste Electrical & Electronic Equipment)

This marking indicates that this product or accessories should not be disposed of with other household waste at the end of its working life. To prevent possible harm to the environment or human health from uncontrolled waste disposal, please separate these items from other types of waste and recycle them responsibly to promote the sustainable reuse of material resources. Users should contact either the retailer where they purchased this product, or their local government, for details of where and how they can take these items for environmentally safe recycling.

Declaration of conformity

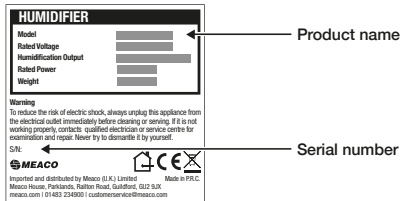
Hereby, Meaco declares that this appliance is in compliance with Directive 2014/35/EU and 2014/30/EU with the relevant statutory requirements. The full text of the EU declaration of conformity and the UK declaration of conformity is available at the following internet address:

<https://www.meaco.com/pages/compliance-data>

Register your Meaco warranty

Your Meaco humidifier comes with a free 3 year warranty, simply register your details online and you'll be covered for parts and labour for 3 years from the date of purchase, subject to the terms and condition of the warranty. As a thank you, you will be entered into our monthly free prize draw to help support the David Shepherd Wildlife Foundation.

Where to find your humidifiers serial number



The serial number can be found on the rating label underneath the base of your humidifier.

Remember to keep a copy of your purchase receipt safe, you will need to show this to our Customer Service team should you need to make a warranty claim.

Ways to register your Meaco warranty



Register online

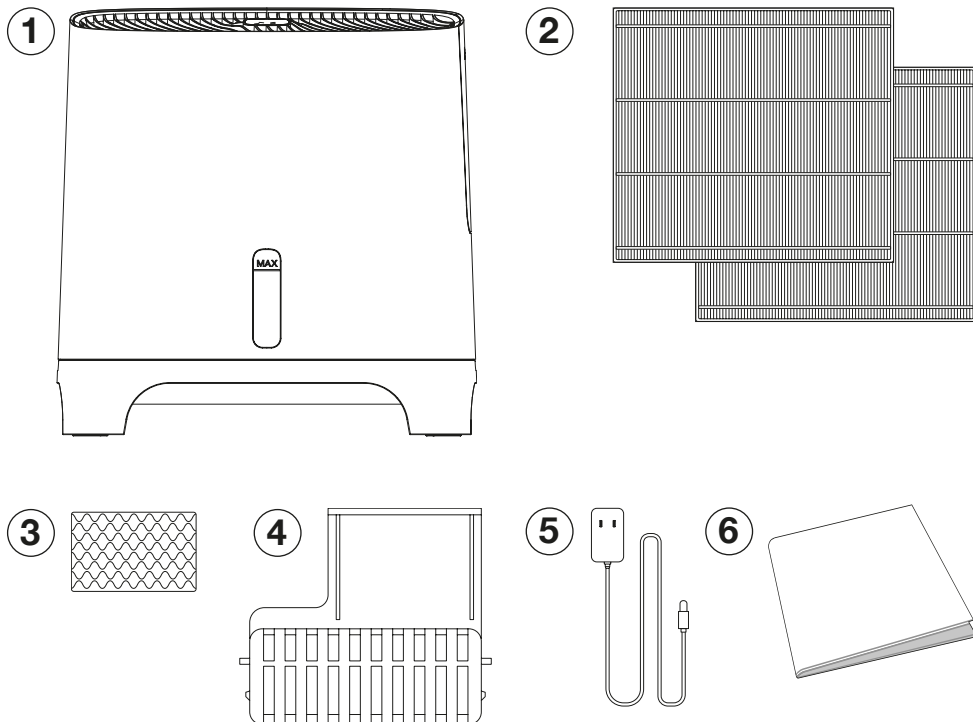
Visit our website to register your free 3 year warranty online:
<https://www.meaco.com/pages/register-your-warranty>

Register by phone

Call our Customer Service team to register your free 3 year warranty over the phone: 01483 234900
Opening times: Monday - Friday 9am - 5:30pm

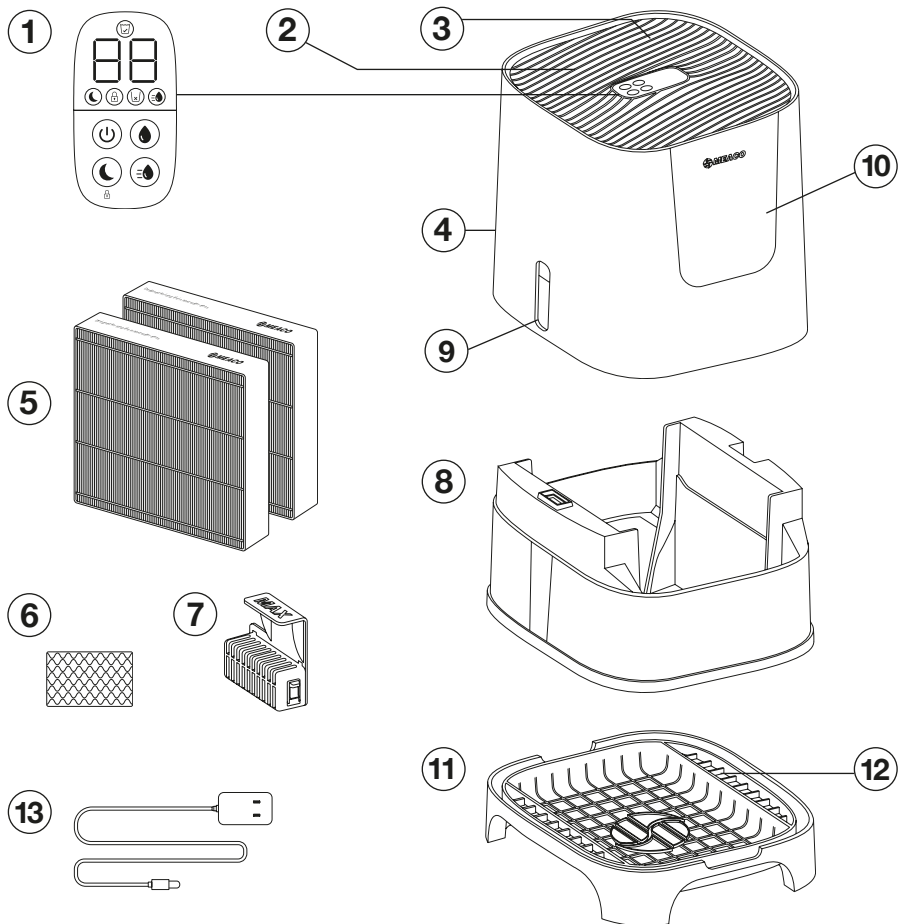
What's included

Carefully unpack the humidifier. Keep all packaging materials away from children. We recommend flat packing and keeping hold of the box should you need it in the future.



-
1. Meaco Armin® 680 ml/h Evaporative Humidifier
 2. 2x evaporation pads
 3. Silvertex®
 4. Silvertex® holder / MAX fill level indicator
 5. Plug and cable
 6. Instruction manual

Product identification



- | | | |
|---------------------|--|---------------------|
| 1. Display | 6. Silvertex® | 10. Water tank flap |
| 2. Air Outlet | 7. Silvertex® holder /
Max fill level indicator | 11. Base |
| 3. Grill | 8. Water tank | 12. Air inlet |
| 4. Cover | 9. Water tank window | 13. Plug and cable |
| 5. Evaporation pads | | |

Important! Remove the bag around the evaporation pads before use.

First steps

When you first receive your humidifier, it is important you follow the steps below carefully:

1. Check your humidifier and its box and packaging for any transport damage. In case of damage to the humidifier, inform the sender immediately.
 2. Choose where you would like to locate your humidifier. We recommend placing your humidifier on a level surface, **off the floor**.
 3. Remove the bag around the evaporation pads and insert the pads back into the water tank.
 4. Plug the humidifier into the mains and turn it on using the Power Button. When the humidifier is first switched on a number will appear on the display. Allow the humidifier to gauge an accurate reading of the humidity level in the environment it is situated in for the first 10 minutes.
 5. Use page 7 to determine the correct setting for your humidifier usage.
-

Display Readings

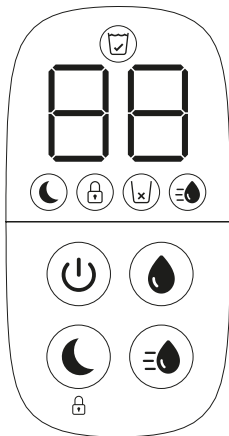
When the humidifier is turned on the display will show the current relative humidity level. To view the humidity target, press the Smart Humidity button once.

Operation

When the humidifier is first plugged into the mains it will beep once and the display will light up for 2 seconds.

All buttons on the control panel only require a short press - press the buttons firmly and quickly (unless you are turning on Child Lock, in which case hold the Night Mode button for 3 seconds).

Control panel



ON/OFF: Press the power button once to turn the humidifier on. The display will turn on and the humidifier will start to run. To turn the humidifier off press the power button again.

If the humidifier has previously been disconnected from power it will automatically start running to reach a target of 55% in Medium fan speed. If the humidifier has not been disconnected from power since it was last on, it will run on the same settings last used.



Smart Humidity Mode: Press the Smart Humidity Mode button once to enter Smart Humidity Mode. In this mode the humidifier will default to a target humidity of 55%.

Variable humidistat: To set your humidifier to reach a target humidity other than 55% continue to press the Smart Humidity Mode button and scroll through the options in the following order: 40, 45, 50, 55, 60, 65, 70, CO. Once you have reached your desired target, the display will flash three times and then return to the current relative humidity level. CO stands for Continuous - with this target the humidifier will continue to run and only turn off when the water tank needs refilling, regardless of the relative humidity level.

Once the target relative humidity level has been reached (+3%) the humidifier will stop. Every 30 minutes the fan will run for 1 minute and check the humidity level. If the humidity level has decreased lower than 3% below the target, the humidifier will start to run again. If the humidity level is within 3% of the target, the humidifier will go back to sleep and check the humidity level in another 30 minutes.

If the current humidity level is within 5% of the target humidity level, the humidifier will default to low fan speed. If the current relative humidity level is 5% or more above the target humidity level the humidifier will default to medium fan speed.



Turbo Mode: Press the Turbo button once to enter Turbo Mode. The fan speed will increase to High. Press Turbo mode again to turn off Turbo Mode, the fan speed will decrease to Medium.



Night Mode: Press the Night Mode button once to enter Night Mode. The fan speed will be reduced to Low; the buttons will not beep when pressed and all lights on the display will turn off (the Night Mode indicator will turn off 3 seconds later than the rest of the display). Press any button to wake up the humidifier and view the display. Press the Night Mode button twice to exit Night Mode.

Child lock: Hold the Night Mode button down for 3 seconds to enter Child Lock and lock the humidifiers control panel – once locked you will not be able to change any settings or turn the humidifier off. The humidifier will beep once, and the child lock indicator will light up. To remove child lock, hold the Night Mode button down for another 3 seconds, the humidifier will beep again.

Control panel display indicators



Water tank full indicator: The water tank full indicator will light up when the water tank is full and the humidifier will beep 3 times (apart from when in Night mode).



Night mode indicator: The night mode indicator will light up for 2 seconds when night mode is enabled.



Child lock indicator: The child lock indicator will light up solid when child lock has been enabled.



Water tank empty indicator: The water tank empty indicator will flash for 5 seconds, the humidifier will beep 3 times and the fan will turn off when the water tank is empty (apart from when in Night mode).

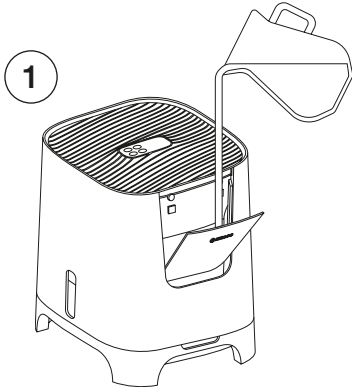


Turbo mode indicator: The turbo mode indicator will light up solid when turbo mode has been enabled.

Water tank

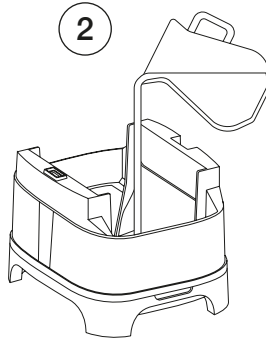
When the water tank is empty and requires filling, the water tank empty indicator will flash for 5 seconds, the humidifier will beep 3 times and the fan will turn off.

The water tank can be filled in 3 different ways:

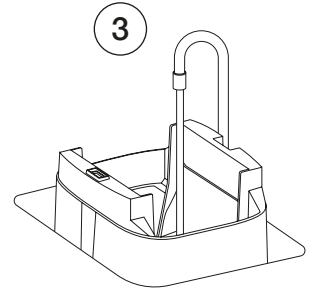


Pour water into the water tank via the flap. Simply open the flap, pour the water in and close the flap again.

If the flap snaps off, simply snap it back into place. It has been designed for this purpose.



Remove the top cover from the water tank and pour water directly into the water tank.



Remove the top cover from the water tank, place the water tank in the sink and fill the tank directly from the tap.

Water tank max fill level

When filling the water tank, it's important not to overfill it. Do not fill the water tank past the green Silvertex® holder / MAX fill level indicator inside the tank. When the water tank is full, the water tank full indicator will light up and the humidifier will beep 3 times (apart from in Night mode).

Maintenance

To ensure your humidifier is always performing at its best, it's important to regularly clean it.

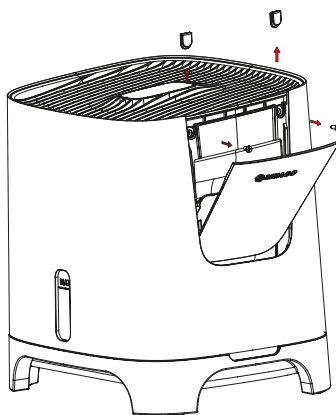
 Always unplug your humidifier from the mains before cleaning.

Grill and fan blades

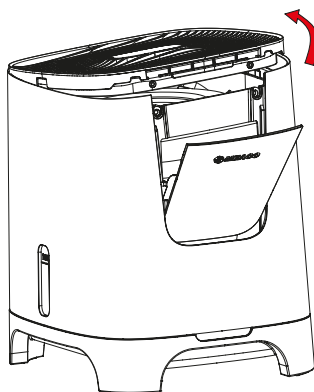
- The grill and fan blades only need cleaning when visibly dirty.
- To clean the grill, wipe it with a soft dry cloth.
- To clean the fan blades, follow the steps below.

Cleaning the fan

- 1 Open the water tank flap and remove the screw.

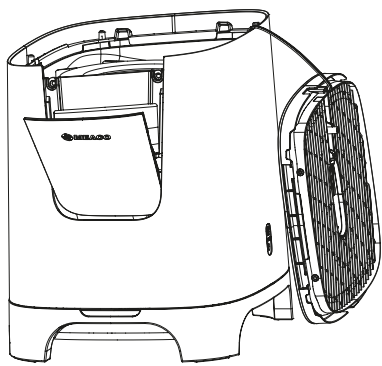


- 2 Lift the grill off the humidifier.



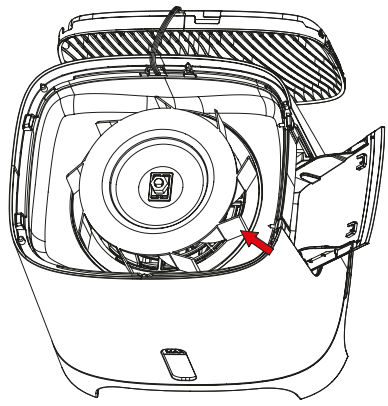
3

The grill will stay connected to the humidifier, rest it on the side.



4

Use a soft dry cloth to clean the fan blades.



5

Repeat the above process in reverse to put the humidifier back together.

Evaporation pads

- The evaporation pads do not require cleaning.
 - In order to prolong the life of the evaporation pads they can be turned 4 times (upside down and back to front). This should be done when you can visually see the limescale building or when they start to smell of limescale.
 - Replace the evaporation pads once the limescale has built up and you can no longer turn the pads.
 - The length of time evaporation pads last will differ depending if you are in a soft or hard water area. Those in hard water areas will have to turn and replace their evaporation pads more frequently.
-

Water tank

- Clean the water tank every 2-4 weeks (2 weeks if you are in a hard water area, 4 weeks if you are in a soft water area).
- To clean the water tank, simply put it in the dishwasher or clean with warm soapy water and then rinse.

Important! Do not put any other parts of the humidifier in the dishwasher, other than the water tank. Remove evaporation pads and Silvertex[®] holder / MAX fill level indicator.

Silvertex[®]

The humidifier comes with a free water sterilisation pad called Silvertex[®]. Silvertex[®] can be inserted into the humidifier to stop bacterial and microbial growth and ensure only pure water is evaporated into the air you breathe.

- The Silvertex[®] does not require cleaning.
- The Silvertex[®] lasts for a very long time and only needs to be replaced once a year.

Humidity sensor filter

The humidity sensor filter is a small blue pad found under the humidifier lid.

- Clean the blue pad once a month.
 - Clean by running the pad under a tap and giving it a squeeze. Wait for the blue pad to dry before putting it back in the humidifier.
 - Do not run the humidifier without the blue pad in place.
-

Float

The float is the black and stainless steel column that sits in the water tank underneath the cover.

- Clean with a damp cloth, if there is any build up of limescale use a proprietary limescale cleaner.

Storing

If the humidifier will not be used for a long period of time, take the following steps:

1. Remove the Silvertex® and evaporation pads from the humidifier and leave to dry out for 24 hours. This will help to minimise the chance of mould growing inside the humidifier during long term storage. (Due to the nature of the evaporation pads, we would advise disposing of them at the end of the season and starting the season with clean new evaporation pads).
2. Remove the plug from the socket and empty the water tank. Wash the water tank in the dishwasher or with warm soapy water and allow it and the humidifier to dry completely - this can take a couple of days.
3. Store the humidifier in a dust-free location away from direct sunlight, preferably covered with a sheet of plastic or purchase a storage bag from meaco.com.

Troubleshooting

If you come across a problem with your humidifier, check the table below and try the suggestions. If the problem persists, contact Meaco.

Error	Action
C1	Clean the humidity sensor blue pad by running it under the tap and giving it a squeeze.
C2	Contact Meaco.
The humidifier is noisy	Ensure the humidifier is placed on a stable, flat surface and that the fan blades are clean.
The humidification output is low	Clean the evaporation pads / replace the evaporation pads. Ensure there are no obstacles blocking the air inlet / air outlet. Clean the fan blades.
The humidifier doesn't turn on	Ensure the humidifier is plugged into the mains. Ensure the water tank is in the correct position and contains water.

Meaco customer care

If you have a question about your Meaco humidifier, contact our Customer Service team who will be happy to help. Make sure you have your serial number and details of where and when you purchased your humidifier.

Contact details

Website: www.meaco.com/pages/contact-us

Email: customerservice@meaco.com

Phone: 01483 234900

Address: Meaco House, Parklands, Railton Road,
Guildford, Surrey GU2 9JX, United Kingdom

Specifications

Model	680
Dimensions (HWD)	338 x 343 x 285 mm
Weight	4.4 kg
Evaporation rate	680 ml/h
Air flow	55 / 115 / 155 (m ³ /h)
Noise level	24 / 35 / 44 dB
Water tank volume	4.7 L
Power	230 V / 50 Hz
Power consumption	1.4 / 5.6 / 11 watts
Rated current	0.4 A

Warranty terms and conditions

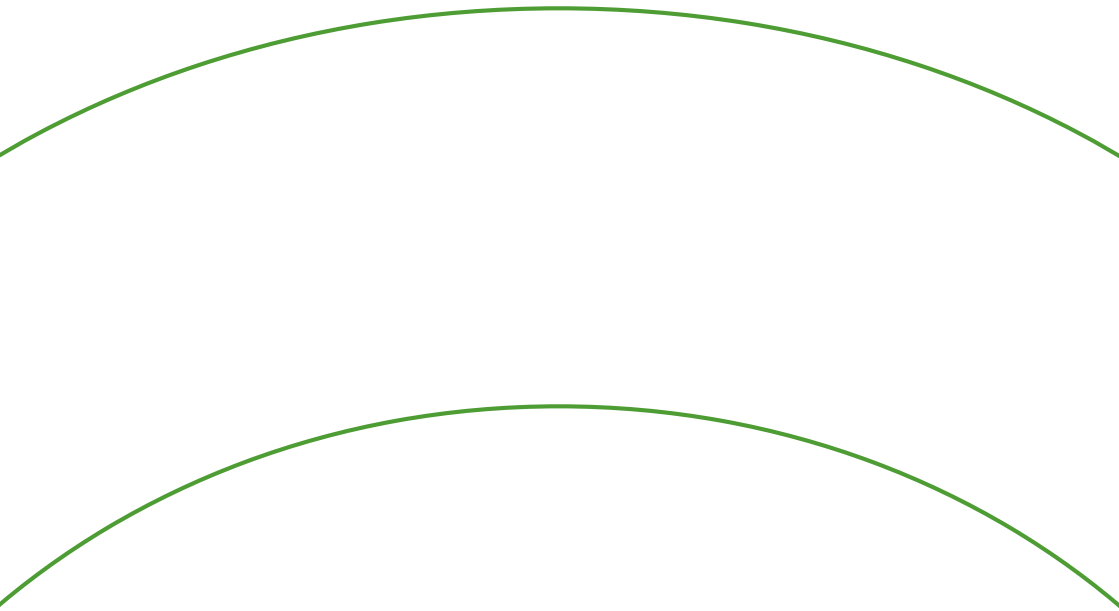
There is a 3 year manufacturer's warranty on your humidifier from the date of delivery.

Within the 3 year warranty all manufacturing defects will be repaired free of charge (excluding damage to the Silvertex[®], Silvertex[®] holder and evaporation pads which can be subject to wear and tear).

The following applies:

1. Any repair or replacement of your humidifier or its components during the warranty period will not result in an extension of the warranty period.
2. Any repair or replacement of your humidifier or its components during the warranty period will not result in the warranty period starting again.
3. If your humidifier has been opened or tampered with or not genuine components have been fitted by yourself or anyone other than a Meaco engineer, your warranty is invalid.
4. Components subject to normal wear and tear, Silvertex[®], Silvertex[®] holder and evaporation pads are not covered by the warranty.
5. The warranty is only valid on presentation of the original, unaltered and date-stamped purchase receipt. If you are unable to produce proof of purchase, the warranty on your humidifier is invalid.
6. The warranty does not cover damage caused by actions that deviate from those as described in the instruction manual or by neglect.
7. The warranty does not cover faults caused by dirt or by third-party products.
8. Using a third-party switching device that turns the humidifier on or off via the mains will invalidate the warranty.
9. The warranty does not cover accidental damage.
10. All claims for compensation, including consequential damage, will not be entertained.

For the full list of the warranty terms and conditions please visit: www.meaco.com/warranty-terms.



Meaco (U.K.) Limited, Meaco House, Parklands,
Railton Road, Surrey GU2 9JX, United Kingdom

meaco.com



The mark of
responsible forestry